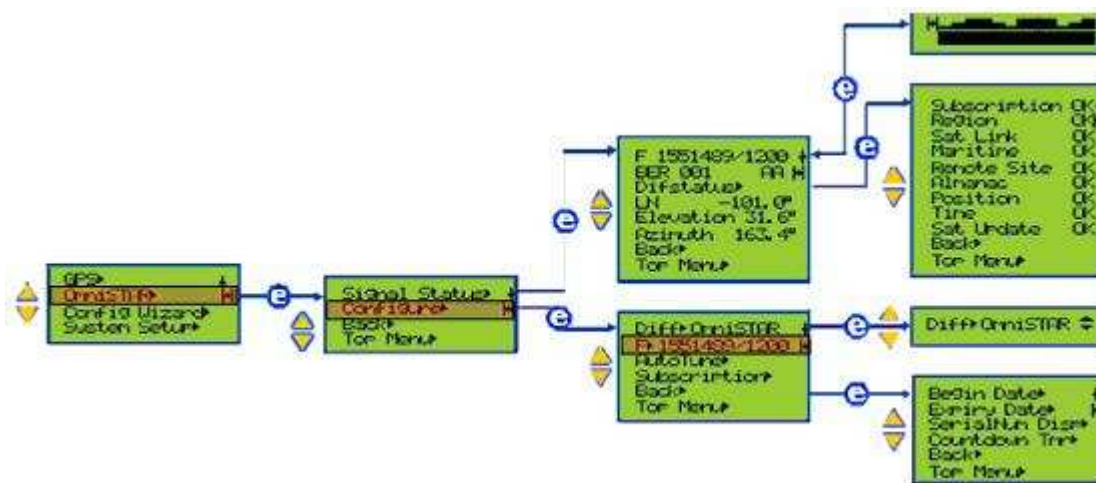


## Changing the frequency on the CSI-DGPS Max.

Please make sure your antenna is in clear view of the sky.

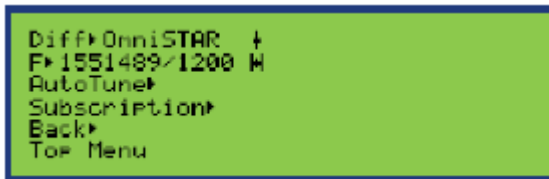
This document describes the procedure of changing the frequency on a CSI-DGPSMAX to OmniSTAR's new service.

The below diagram illustrates the route to change the frequency.



1. On the menu screen, use the **UP** [↑] and **DOWN** [↓] buttons to highlight the “OmniSTAR” menu item. Press the **E** (ENTER) button to move to the next step.
2. Use the **UP** [↑] and **DOWN** [↓] buttons to arrive at the “configuration” screen. Press the **E** (ENTER) button to move to the next step.
3. Use the **UP** [↑] and **DOWN** [↓] buttons to select “frequency”. Press the **E** (ENTER) button to move to the next step.
4. A screen will ask you to confirm that you wish to proceed with the manual frequency change. Use the **UP** [↑] and **DOWN** [↓] buttons to say “YES”. Press the **E** (ENTER) button to move to the next step.
5. At this step you will be prompted to enter the new frequency. Press the **UP** [↑] and **DOWN** [↓] buttons to change the frequency to: **1535185**.

6. You will then be prompted to select the correct modulation rate. Adjust to the correct modulation rate using the **UP** [↑] and **DOWN** [↓] buttons and press the **E** (ENTER) button to complete the process.
7. Use the **UP** [↑] and **DOWN** [↓] buttons to select the “back” menu item. Similar to the screen shown below.



8. Check that the frequency is displayed as F 1535185/1200, and the BER is 000 – 0004.
9. When the new frequency is correct please call OmniSTAR to activate your receiver to the new frequency while the unit is powered on and has a clear view of the sky. Please note: your signal will not work until you call OmniSTAR to activate it.

**Please contact OmniSTAR on 1300 794 498 if you have any problems between business hours.**

---